

CHECK VALVES ALH-1

Nominal Pressure

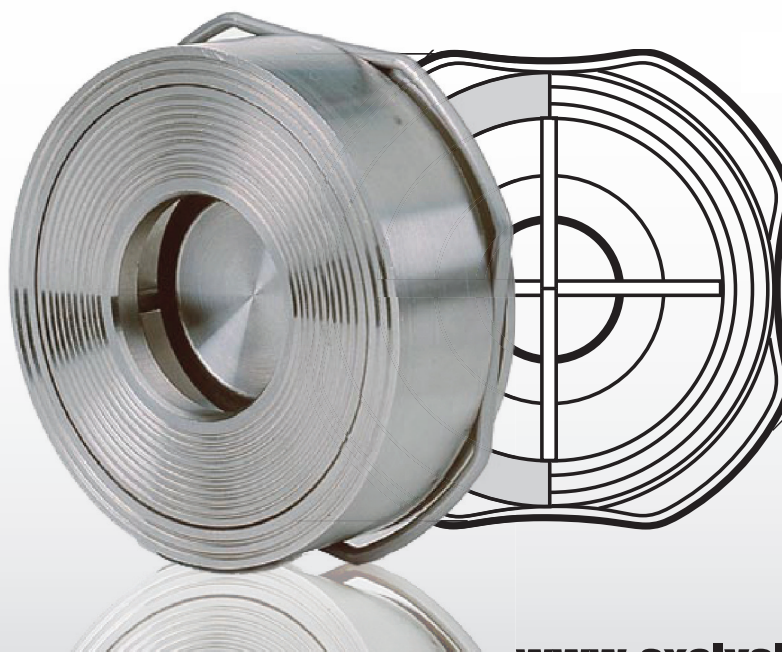
ANSI Class 150-300
PN 6-40

Nominal size

1/2" - 4"
DN 15-100

Materials

Carbon Steel
Stainless Steel
Bronze

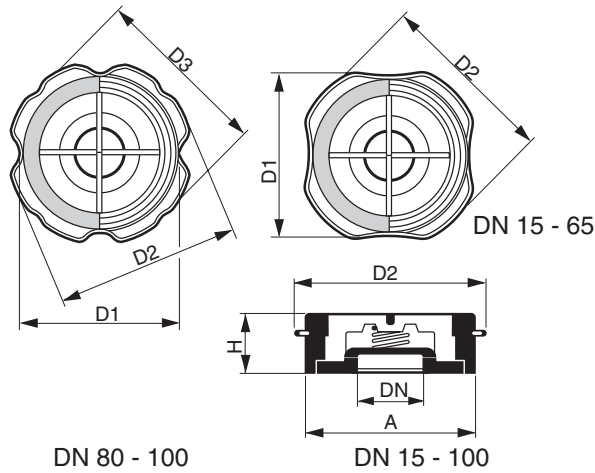
**AXELVALVES AB**

Box 11 000, S-161 11 Bromma
Stockholm, Sweden
Phone: +46 (0)8 445 20 60
Fax: +46 (0)8 98 22 35
E-mail: info@axelvalves.se

**AXELVALVES в России:**

ООО "Флоу Текнолоджи"
190013, Санкт-Петербург
ул.Серпуховская, 10, литер А
Телефон: +7 (812) 313-11-95
info@flowtechnology.ru

AXELVALVES offers a wide range of valves to ANSI and DIN standards, designed for the chemical and petrochemical, oil and gas processing and steam generation industries.



Features

ALH-1 check valves are manufactured by using high quality materials to guarantee superior performance.

- Valves are disc check valves for installation between flanges according to Din 3202.
- Metal to metal sealing construction.
- For liquids, gases and steam.

Marking

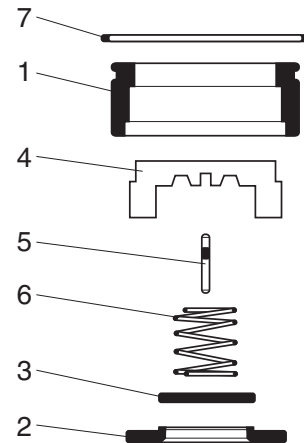
Valves are identified by a proper name plate as required by MSS-SP25 with all informations of rating, size, valve body and trim material.

Measurements in mm.

Dimensions						
DN	H	A	D1	D2	D3	Weight Kg
15	17	44.5	44.5	52.0	-	0.2
20	20	54.5	54.5	65.5	-	0.3
25	22	64.5	64.5	72.0	-	0.4
32	28	75.0	75.0	83.0	-	0.6
40	32	84.0	84.0	93.5	-	0.8
50	40	97.5	97.5	110.0	-	1.1
65	46	117.0	117.0	127.0	-	2.2
80	50	133.0	133.0	154.0	142.5	2.9
100	60	153.0	153.0	168.5	162.5	4.0

Pressure/Temperature

Material	Bronze	Carbon Steel	Stainless Steel
Class	PN 16	PN 40	PN 40
Max. Pressure	16 bar	40 bar	40 bar
Temperature	-60 - +250°C	-10 - +300°C	-60 - +300°C



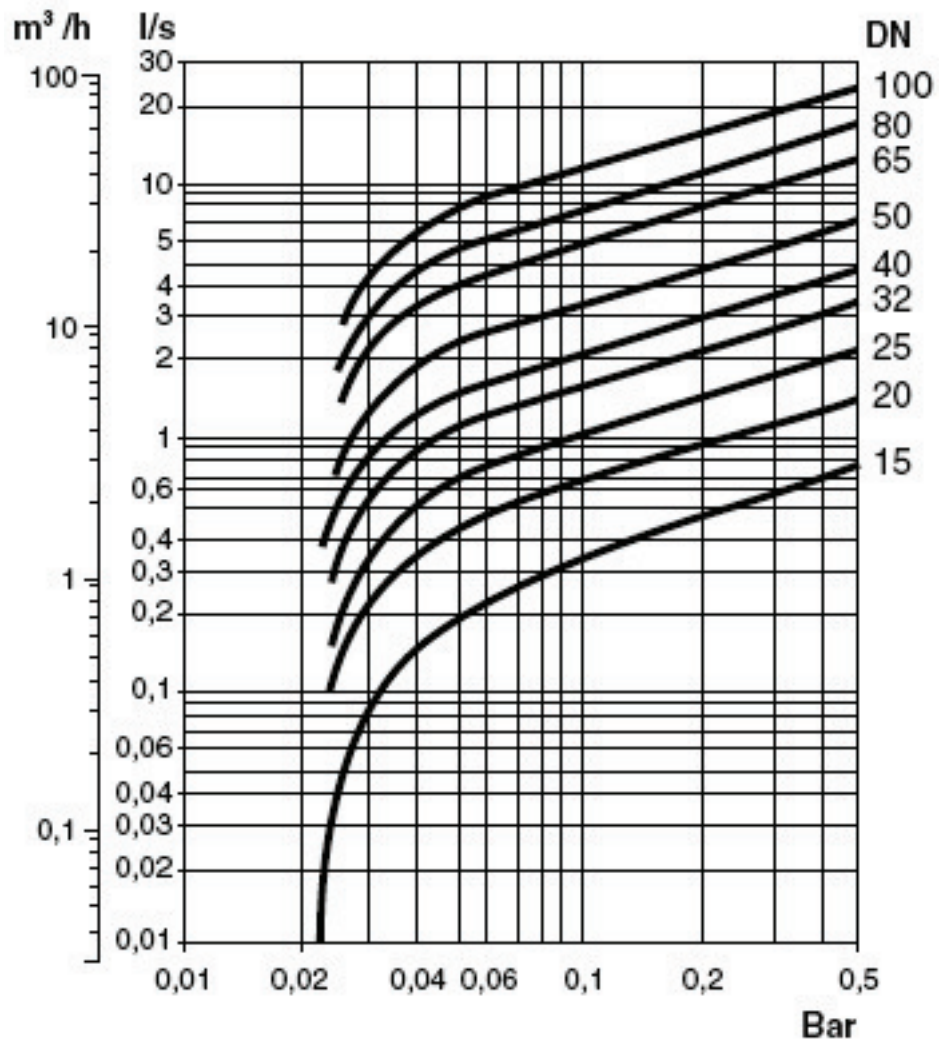
Material

Part	Material		
Body	Bronze DIN 2.1050-0	Carbon Steel DIN 1.058	Stainless Steel DIN 1.4401
Seating	Bronze DIN 2.1050-0	Stainless Steel DIN 1.4028	Stainless Steel DIN 1.4401
Disc	Stainless Steel DIN 1.402	Stainless Steel DIN 1.4028	Stainless Steel DIN 1.4401
Spring Press	Stainless Steel DIN 1.440	Stainless Steel DIN 1.4401	Stainless Steel DIN 1.4401
Spring	Stainless Steel DIN 1.4571	Stainless Steel DIN 1.4571	Stainless Steel DIN 1.4571
Fixation Ring	Stainless Steel DIN 1.430	Stainless Steel DIN 1.4300	Stainless Steel DIN 1.4300

Other materials and material combinations available on request.

Capacity

Load loss curve - water +20°C



Opening Pressure - mbar				
Flow Direction	Without Spring	With Spring		
	↑	↑	→	↓
DN 15	2.51	22.00	20.50	17.00
DN 20	2.38	21.90	20.50	17.10
DN 25	1.96	21.50	20.50	17.50
DN 32	3.70	23.20	20.50	15.80
DN 40	4.00	23.50	20.50	15.50
DN 50	4.11	23.60	20.50	15.40
DN 65	4.95	24.40	20.50	14.60
DN 80	5.64	25.10	20.50	13.90
DN 100	6.81	26.30	20.50	12.70

Kv-value (m³/h)	
DN	Kv
15	3.96
20	7.20
25	10.80
32	18.00
40	23.00
50	36.00
65	60.00
80	79.00
100	118.00