

RCE4L and RCE4 Switch box

For open and closed position

RCE4L and RCE4 are mounted on the RC200-series according to VDI/VDE 3845, NAMUR on the top side of the actuator and are operated by its shaft.

In the standard design, the switch box is supplied with two microswitches which are effected by two independently adjustable cams.

Terminal strip with 8 x terminals and 2 x cable entries enables quick and easy wiring to the control system and solenoid valve.

Can be fitted together with our visual indication.

RCE4, which is higher than RCE4L, enables mounting of several microswitches or inductive sensors.



Standard

Material

Shaft, mounting bracket: Stainless steel
Base plate: Anodized aluminium
Cover: Aluminium, powder coated Epoxy

Switches

Type V3 (2x), -25 to +80 °C

Load

6A 250 V ~, 0,6A 125V=, 0,3A 250V=



Enclosure

IP 67

Entries

M20

Option

- Enhanced corrosion protection
- Cover in transparent Macrolon
- For max. 4 microswitches or inductive sensors
- Pneumatic switches
- Gold plated switches
- Continuous indication with the aid of a potentiometer 1k Ohm
- High temperature design up to +140 °C
-  0470  II 2 G D EEx ib IIC T5, T6
- Other cable entries on request

Inductive sensors:

IFM NS 5002 NAMUR
IFM NS 5009 NAMUR
IFM IS 5001 10-30V DC PNP 3-wire
IFM IS 5026 5-36V DC 2-wire Quadro-norm
IFM IN 0081 20-250 AC/DC (E4)
Pepperl + Fuchs NJ2-V3-N
Pepperl + Fuchs NBB2-V3-E2

For further information about special switches and wiring diagram, please contact Remote Control.

www.remotecontrol.se



Remote Control Sweden
Tel +46 (0)23 587 00
Fax +46 (0)23 587 45
www.remotecontrol.se
info@remotecontrol.se



Remote Control
Tel +49 (0)2131 795 760
Fax +49 (0)2131 795 7615
www.remotecontrol.de
info@remotecontrol.de



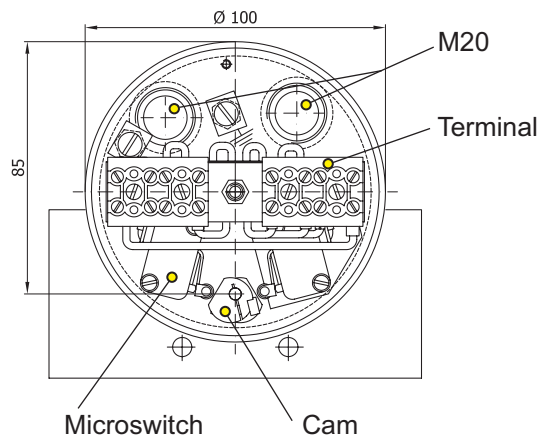
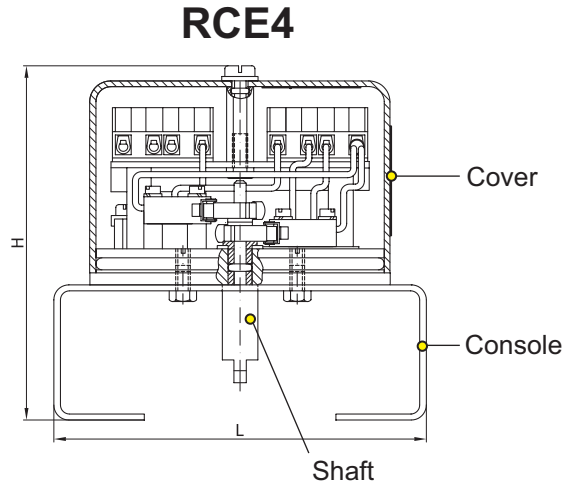
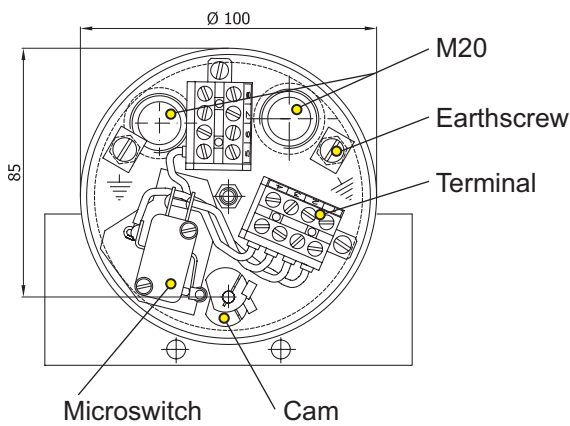
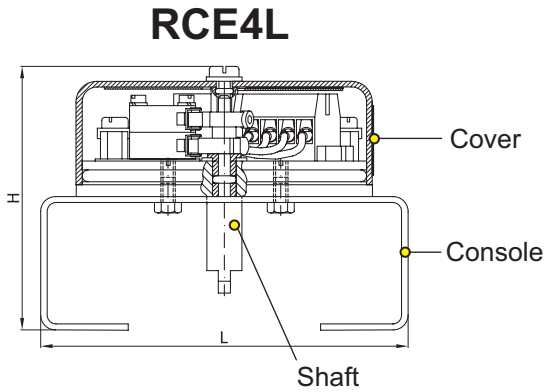
Remote Control Ltd
Tel +44 (0)1889 576 888
Fax +44 (0)1889 577 676
www.remotecontrol.co.uk
info@remotecontrol.co.uk



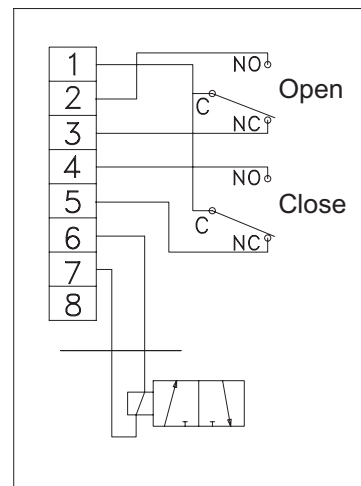
Remote Control Asia
Tel +65 6848 7150
Fax +65 6746 5815
www.remotecontrol.com.sg
info@remotecontrol.com.sg



Remote Control Inc
Tel +1 (0)401 294 1400
Fax +1 (0)401 294 3388
www.rciactuators.com
sales@rciactuators.com



Standard wiring diagram for RCE4L and RCE4



RCS-459

Measurements

	E4L		E4	
	H	L	H	L
RC210	90	68	120	68
RC220-RC265	90	110	120	110
RC270-RC280, RC88	100	160	130	160
RCG90-RCG100	155*	200*	185*	200*

*Not VDI/VDE- Console

We reserve the right to make changes without notice.

www.remotecontrol.se

Ref No 381F / Art No 980381



Remote Control Sweden
Kontrollvägen 15
SE-791 45 Falun
Sweden
Tel +46 (0)23 587 00
Fax +46 (0)23 587 45
www.remotecontrol.se
info@remotecontrol.se



Remote Control
Gutenbergstr. 22
DE-41564 Kaarst-Büttgen
Germany
Tel +49 (0)2131 795 760
Fax +49 (0)2131 795 7615
www.remotecontrol.de
info@remotecontrol.de



Remote Control Ltd
Unit 40, Trent Valley Works
Station Road, Rugeley
Staffordshire WS15 3HB
England
Tel +44 (0)1889 576 888
Fax +44 (0)1889 577 676
www.remotecontrol.co.uk
info@remotecontrol.co.uk



Remote Control Asia
No. 9, Kaki Bukit Road 1
#03-03, Eunos Technolink
Singapore 415938
Tel +65 6848 7150
Fax +65 6746 5815
www.remotecontrol.com.sg
info@remotecontrol.com.sg



Remote Control Inc
PO Box 355
386 Dry Bridge Rd
North Kingstown, RI 02852
USA
Tel +1 (0)401 294 1400
Fax +1 (0)401 294 3388
www.rciactuators.com
sales@rciactuators.com